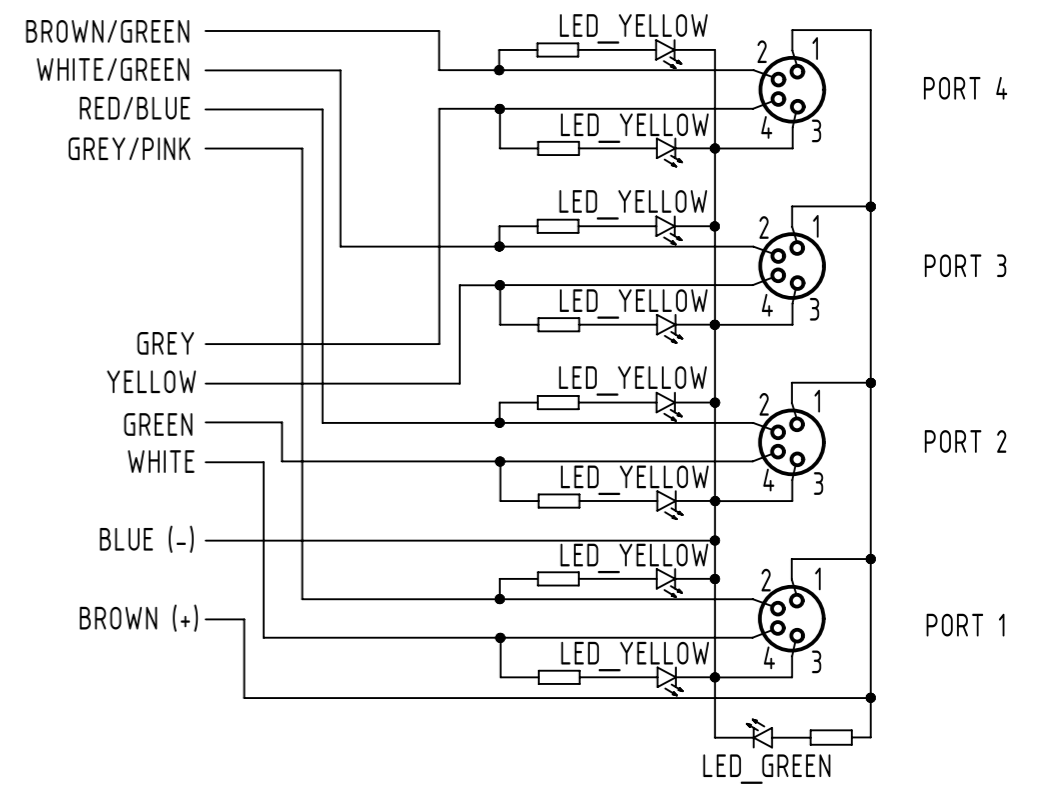


Loading plan



- Protection level: IP 67
- Temperature range: -25°C...+80°C

Electrical data:  
-Rated voltage: 15-30V DC  
-Nominal: 2 A per Contact  
-Current: 6 A max total

PUR, max. 16x0.34 + 2x0.75	5
Type of cable	Dim. a[m]

	All rights reserved Department HCS - RO	Created by MUNTEANV	Inspected by COSTEA	Standardisation AVRAM	Date 2017-05-23	State Final Release
	Title har-SAB M8/4/4p PAC Type TB Number 090700101101					Doc-Key / ECM-Nr. 100706648/UGD/000/B 500000119950
HARTING Customised Solutions D-32427 Minden						Rev. B Page 1/1